

Low Noise DC/DC converter **WA-DC-01**

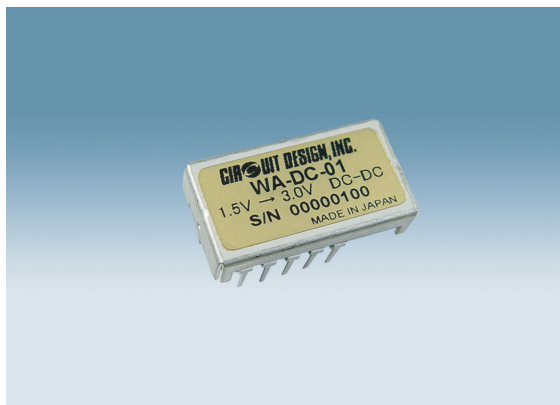
WA-DC-01 is a low noise and high efficient DC/DC converter developed for the use of radio modules. 1.5V voltage is up-converted to 3.0V. With the WA-DC-01, the radio module can be operated with 1.5V battery. Low voltage warning circuitry equipped on the WA-DC-01 helps user to use the battery efficiently.

Features

- Low noise output
- High efficiency
- Low battery warning terminal
- Compact size (1.5cc)

Applications

- Battery operated transmitter
- Low voltage operated unit

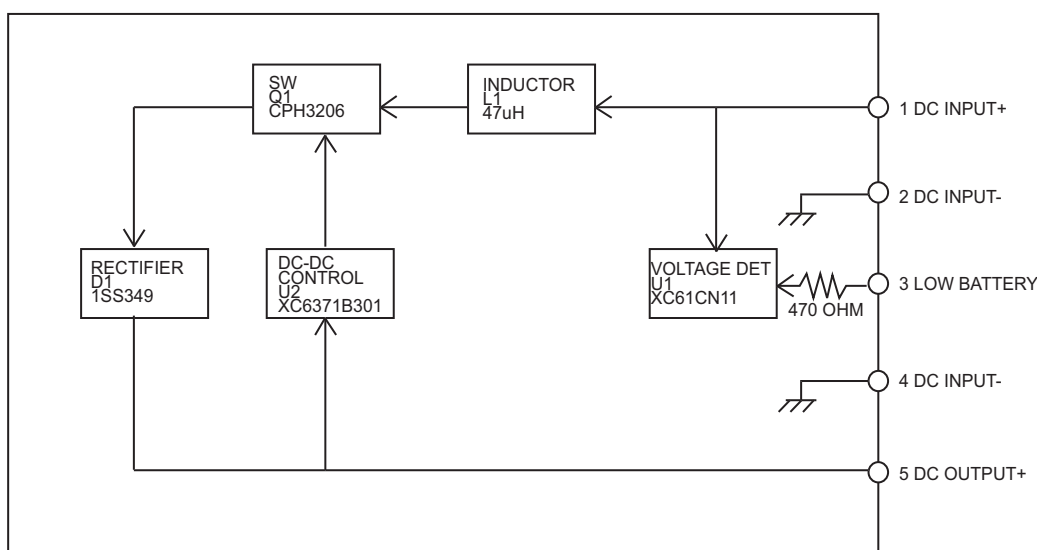


WA-DC-01

Item	Specification
Input voltage	1.5V
Output voltage	3.0V +/- 0.2V
Output current	100mA max.
Low battery warning	1.1V +/- 0.1V
Dimension	22.6 x 12.2 x 5.7mm
Weight	5.0g

Specifications are subject to change without prior notice

Block diagram



CIRCUIT DESIGN, INC. International Business Division

<http://www.circuitdesign.co.jp/>

WA-DC-01 DS ver1.0 Apr. 03

DS_WA-DC-01_v10e

7557-1 Hotaka, Hotaka-machi, Minamiazumi, Nagano 399-8303, Japan

Tel: +81-263-82-1024 Fax: +81-263-82-1016