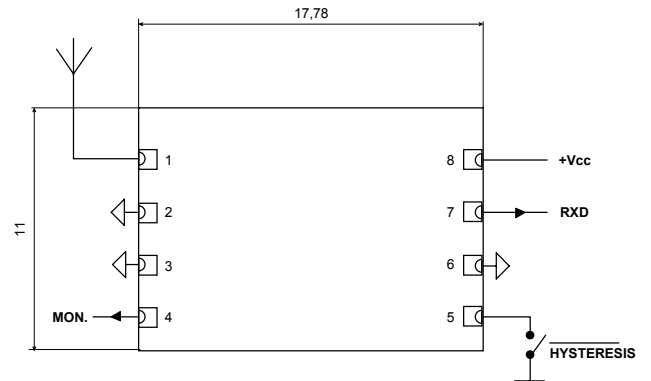


<b>BR17 L3</b>		<b>BR18 L3</b>	
SRD	RX	SAW	SRD 433 / 868 MHz
<b>MINIATURE SMT LOW-COST SUPERREGENERATIVE RECEIVER</b> <b>Preliminary</b>			



- **BR17L3 ( 433.05 – 434.79 MHz )**
- **BR18L3 ( 868 – 870 MHz )**

The BR17L3 and BR18L3 modules are low-cost, miniature, low consumption superregenerative data receiver designed for SMT mounting.

**PRELIMINARY PERFORMANCE DATA**

Operating supply range	.....	2,7 ÷ 5,5 Vdc
Supply current	.....	200 µA (3 Vdc)
Sensitivity	.....	-96 dBm (ASK)
Data baud-rate (no squelch)	.....	9600 Baud , max.
Data baud-rate (squelched)	.....	1200 Baud , max.
Start – up time (pulsed)	.....	30 ms
Dimensions	.....	11 x 17,78 x 2,3 mm

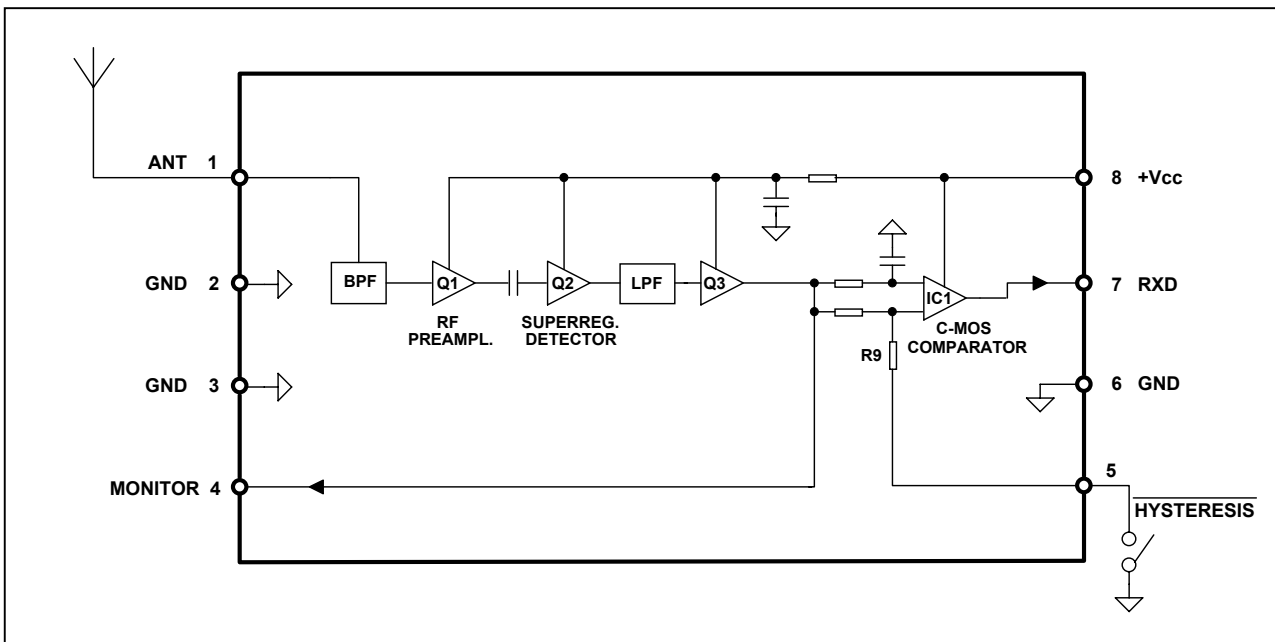


Fig. 1 BR17L3 o BR18L3 block diagram

