

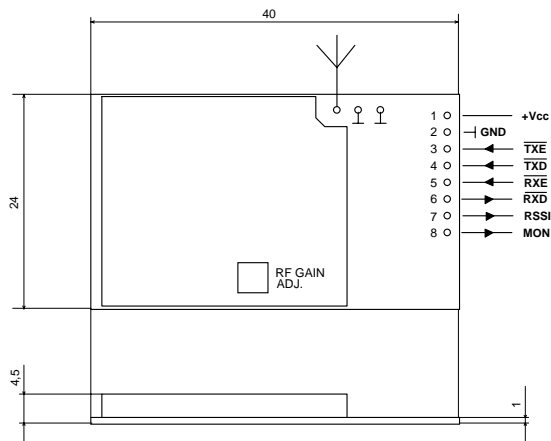
# STE s.a.s. ELETTRONICA TELECOMUNICAZIONI

Via Maniago N° 15 – 20134 – Milano – Italy  
 Tel.: +39.02.2153524 / 2153525 / 2157891  
 Fax: +39.02.26410928

[www.stecom.com](http://www.stecom.com)

[ste@stecom.com](mailto:ste@stecom.com)

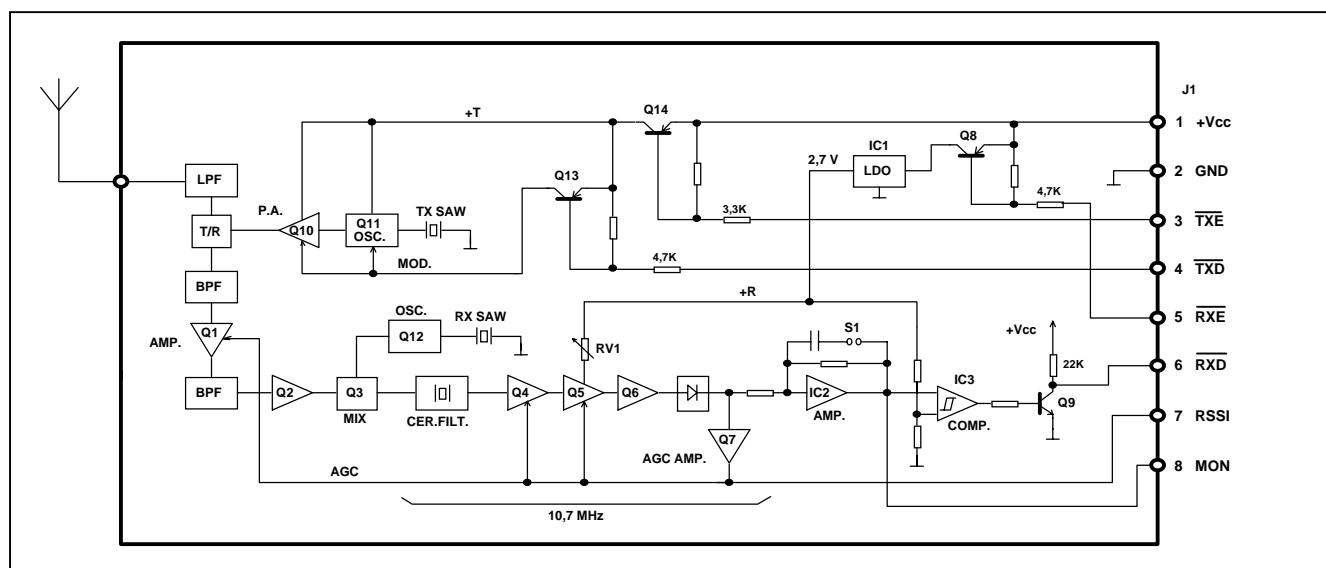
## LOW POWER DATA TRANSCEIVER MODULE



- **BK27** ( 433.05 – 434.79 MHz )
- **BK28** ( 868 – 870 MHz )

### PRELIMINARY PERFORMANCE DATA

Operating supply range	.....	2,7 ÷ 5,5 Vdc
Supply current - Receive	.....	4,5 mA
- Transmit	.....	25 mA
Output RF Power	.....	+12 ÷ +14 dBm
Modulation	.....	ASK
Transmitter data speed	.....	64 Kbaud
Receiver sensitivity	.....	-106 dBm
Receiver selectivity	.....	± 140 KHz
Receiver data speed	.....	DC ÷ 64 Kbaud
Receiver start – up time	.....	2 ms
T-R switching time	.....	1 ms
Dimensions	.....	40 x 24 x 4,5 mm



Block diagram