

STE s.a.s. ELETTRONICA TELECOMUNICAZIONI

Via Maniago N° 15 – 20134 – Milano – Italy

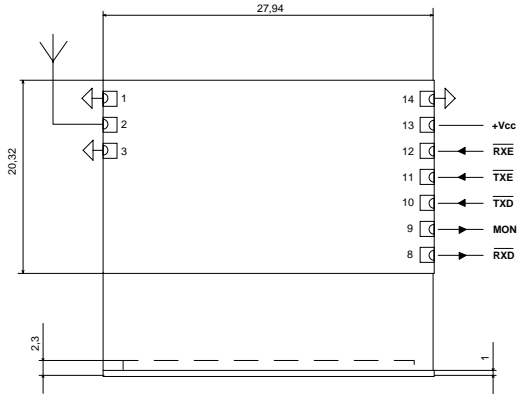
Tel.: +39.02.2153524 / 2153525 / 2157891

Fax: +39.02.26410928

www.stecom.com

ste@stecom.com

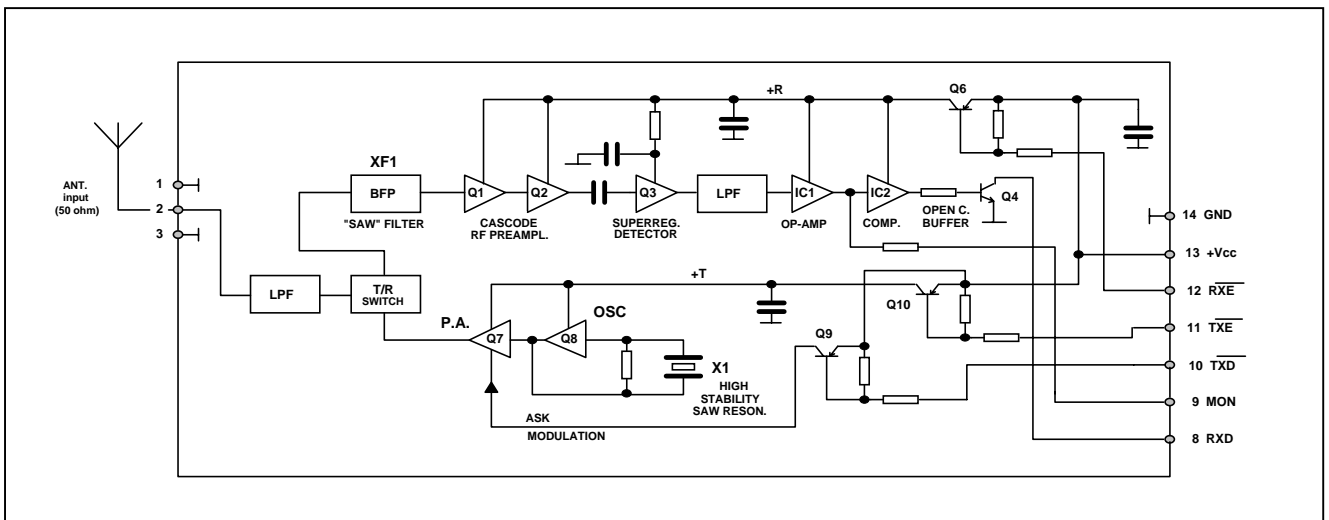
LOW POWER DATA TRANSCEIVER MODULE



- **BK47** (433.05 – 434.79 MHz)
- **BK48** (868 – 870 MHz)

PRELIMINARY PERFORMANCE DATA

| | | |
|--------------------------|-------|---------------------|
| Operating supply range | | 2,7 ÷ 5,5 Vdc |
| Supply current - Receive | | 400 µA |
| - Transmit | | 20 mA |
| Output RF Power | | +10 ÷ +12 dBm |
| Modulation | | ASK |
| Transmitter data speed | | 38,4 Kbaud |
| Receiver sensitivity | | -98 dBm (4,8 Kbaud) |
| Receiver selectivity | | ± 250 KHz |
| Receiver data speed | | 4,8 ÷ 9,6 Kbaud |
| Receiver start – up time | | 30 ms |
| T-R switching time | | 15 ms |
| Dimensions | | 20,3 x 28 x 2,3 mm |



Block diagram