

BT17
BT18

SRD	TX	SAW	ISM	433.050 – 434.790 MHz
SRD	TX	SAW	ISM	868 – 870 MHz



434 MHz

BT17 – SRD DATA TX MODULE			
		OOK (2.4 KB)	ASK (38.4 KB)
SIL	3 VDC	BT17 A3 S	BT17 S3 S
	5 VDC	BT17 A5 S	BT17 S5 S
	9-12 VDC	BT17 A9 S	-----
PIN	3 VDC	BT17 A3 P	BT17 S3 P
	5 VDC	BT17 A5 P	BT17 S5 P
	9-12 VDC	BT17 A9 P	-----
SMT	3 VDC	BT17 A3 T	BT17 S3 T
	5 VDC	BT17 A5 T	BT17 S5 T
	9-12 VDC	BT17 A9 T	-----

868 MHz

BT18 – SRD DATA TX MODULE			
		OOK (2.4 KB)	ASK (38.4 KB)
SIL	3 VDC	BT18 A3 S	BT18 S3 S
	5 VDC	BT18 A5 S	BT18 S5 S
	9-12 VDC	BT18 A9 S	-----
PIN	3 VDC	BT18 A3 P	BT18 S3 P
	5 VDC	BT18 A5 P	BT18 S5 P
	9-12 VDC	BT18 A9 P	-----
SMT	3 VDC	BT18 A3 T	BT18 S3 T
	5 VDC	BT18 A5 T	BT18 S5 T
	9-12 VDC	BT18 A9 T	-----

BT17 - RF Channel Versions

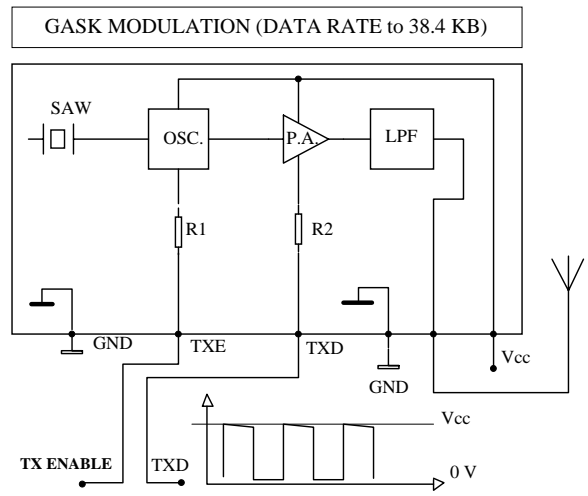
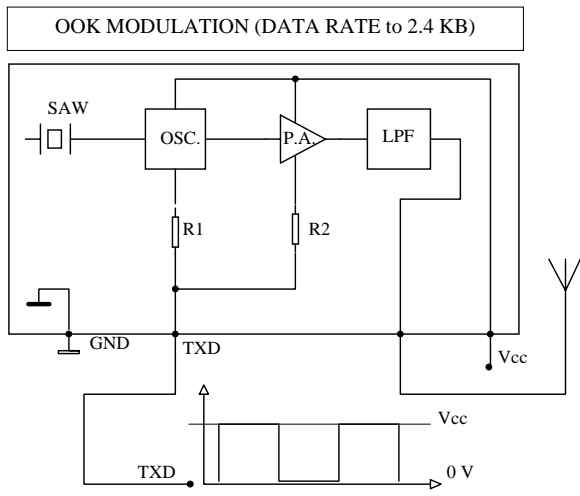
BT17 xx x G2	433,425 MHz
BT17 xx x G4	433,925 MHz
BT17 xx x G6	434,425 MHz

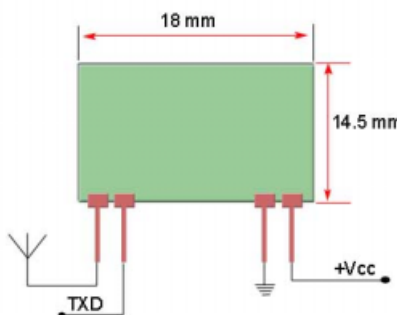
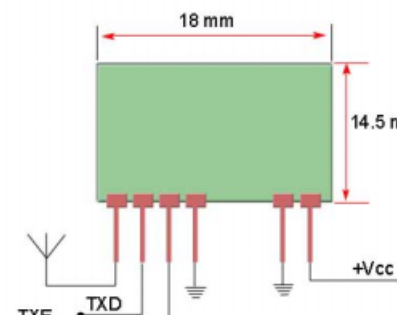
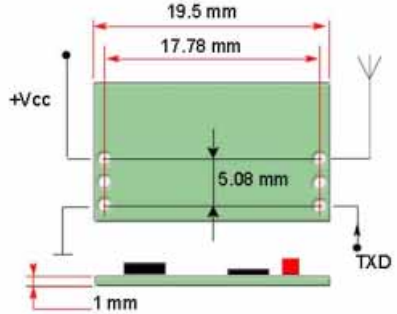
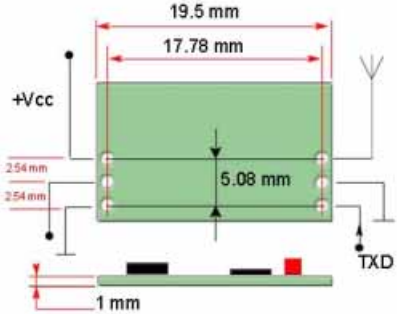
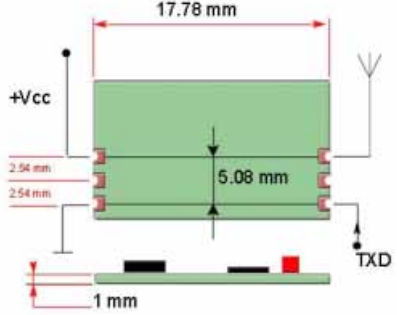
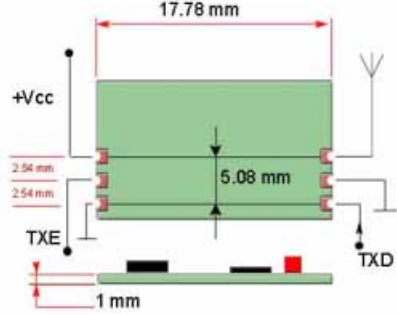
BT18 - RF Channel Versions

BT18 xx x M2	868,350 MHz
BT18 xx x M5	868,950 MHz
BT18 xx x M9	869,850 MHz

RF OUTPUT POWER

434 MHz	BT17	15 mW min.
868 MHz	BT18	15 mW min. @ 3V
	BT18	20 mW min. @ 5V
	BT18	25 mW min. @ 9V



VERSIONS	OOK MODULATION DATA RATE to 2.4 KB	GASK MODULATION DATA RATE to 38.4 KB
SIL VERSION		
PIN VERSION		
SMT VERSION		

ev. BT17_1.1 date 17 September App.

